



# BWL317S

**Low Cost Single-Axis  
Digital Output with Modbus  
Inclinometer**

**Technical Manual**



## @kif [ i Zkfe

Designed by Bewis Sensing Technology LLC, BWL317S is a low cost single-axis digital output with Modbus inclinometer, adopting the latest industrial level MEMS accelerometer. Its measuring range is  $\pm 180^\circ$ , highest accuracy is  $0.1^\circ$ , working temperature is  $-40^\circ\text{C} \sim +85^\circ\text{C}$ , the product with a small size and low weight, can meet space-restricted application requirements.

This product converts static gravity field changes into angle changes, It outputs horizontal angle values directly by digital, this product has the advantages of low cost, small temperature drift, simple to use, and strong resistance to external disturbances. It is an ideal option for attitude measurement in photovoltaic power (PV), PTZ control, tower turbines monitoring and other industries.

## =\Xk i \j

- Single-axis inclinometer measurement
- Resolution:  $0.01^\circ$
- Voltage input: 9~35VDC
- Product size: L55×W37×H24(mm)
- Accuracy:  $0.1^\circ$ (Max)
- Measuring range:  $\pm 180^\circ$
- IP67 protection
- Output interface: RS232/485/TTL optional

## 8ggcZXkfej

- Industrial automatic leveling
- Medical devices
- PV automatic tracking
- Tower tilt monitoring
- Special valves
- Oil drilling equipment
- Industrial converters
- Crane tilt angle control



## Specifications

### Electrical Specifications

Parameters	Conditions	Min	Typical	Max	Units
Power supply(DC)		9	12	35	V
Operating current	Non-loaded	20	30	40	mA
Operating temperature		-40		+85	°C
Store temperature		-55		+100	°C

### Performance Specifications

Measuring range(°)	Conditions	±10	±30	±60	±90	±180
Measuring axis		X	X	X	X	X
Accuracy(°)	Indoor	0.1	0.1	0.1	0.2	0.2
Resolution(°)		0.01	0.01	0.01	0.01	0.01
Zero temperature drift(°/°C)	-40 ~ +85°C	±0.01	±0.01	±0.01	±0.01	±0.01
Power on time		<3s	<3s	<3s	<3s	<3s
Frequency response (Hz)		100	100	100	100	100
MTBF	≥ 100000 h					
Electromagnetic compatibility	According to GBT17626					
Insulation resistance	≥100MΩ					
Shock resistance	2000g,0.5ms,3times/axis					
Weight (g)	210					

**Resolution:** The measured minimum change value that the sensor can detect and resolve within the measurement range.

**Accuracy:** The error between the actual angle and the Root mean square(RMS) of the measured angle of the sensor (≥16 times).



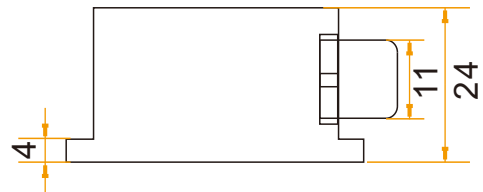
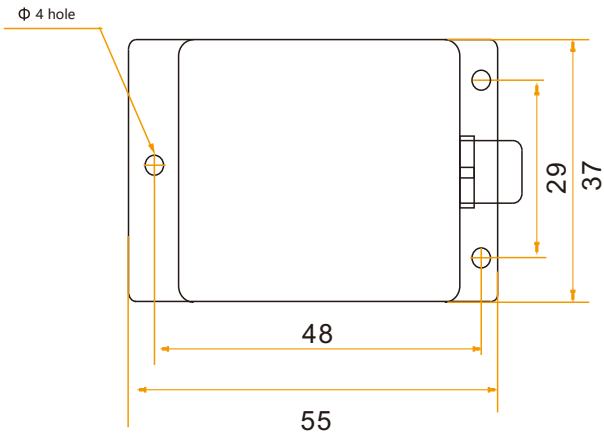
### Mechanical Characteristic

Connector	Metal connector
Protection level	IP67
Shell material	Magnesium alloy sanding oxidation
Installation	Three M4 screws



### Package size

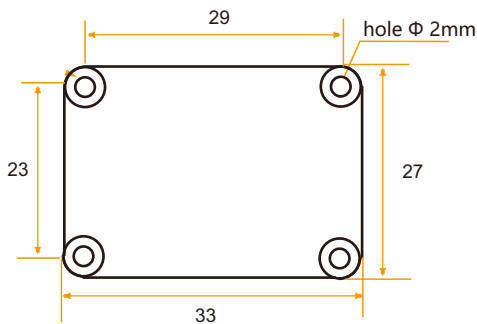
Product Size: L55\*W37\*H24 (mm)



### Bare plate product size

Product size: L33\*W27\*H6 (mm)

**Note:**  $\pm 1$ mm error for length and width dimensions, please refer to actual.

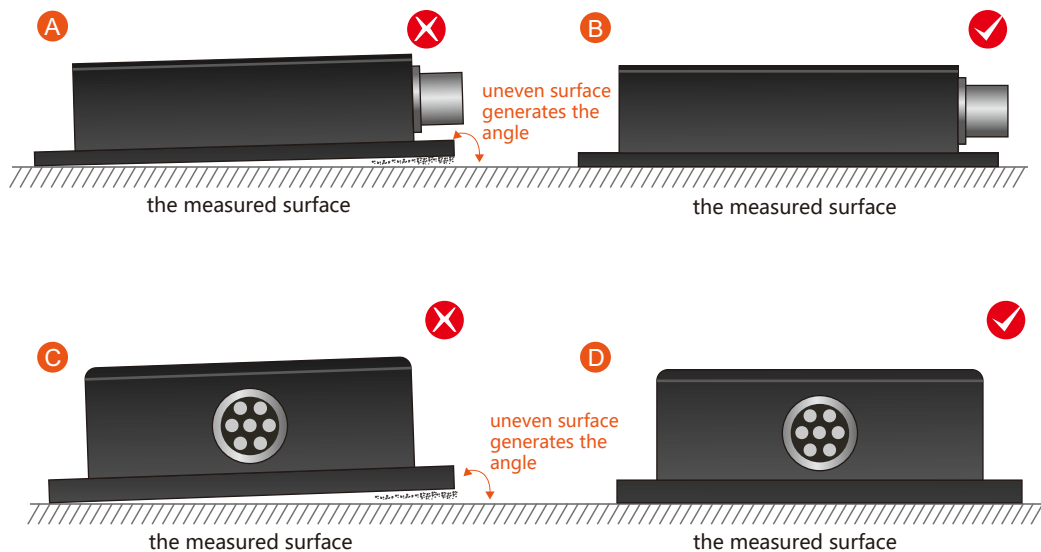




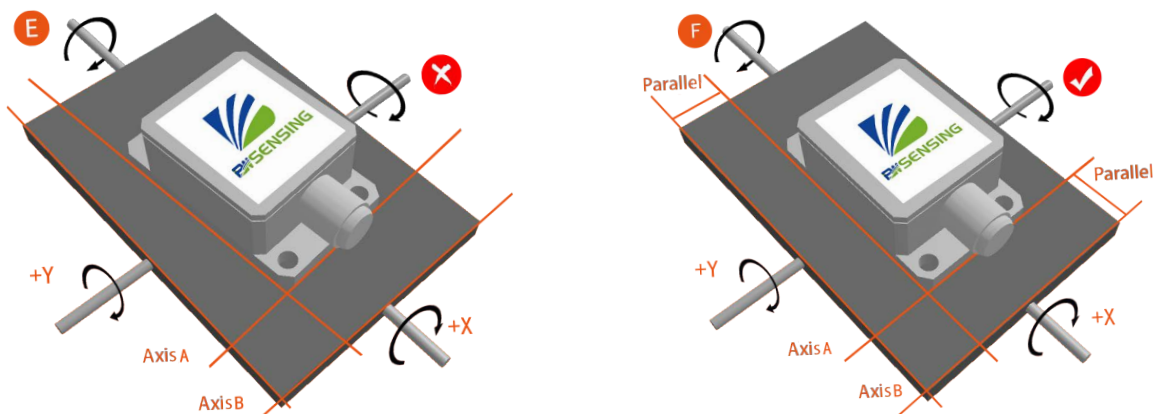
## Installation direction

The correct installation method can avoid measurement error. The following points should be made when installing the sensor:

First of all, to ensure that the sensor mounting surface and the measured surface completely close, the measured surface should be as horizontal as possible, can not have the angle shown in Figure A and Figure C, the correct installation is shown in Figure B and Figure D.



Secondly, the bottom cable of the sensor and the axis of the measured object shouldn't generate the angle shown in E. When installing, the bottom cable of the sensor should be kept parallel or orthogonal to the rotation axis of the measured object. This product can be installed horizontally or vertically (vertical installation requires customization). The correct installation method is shown in Figure F.



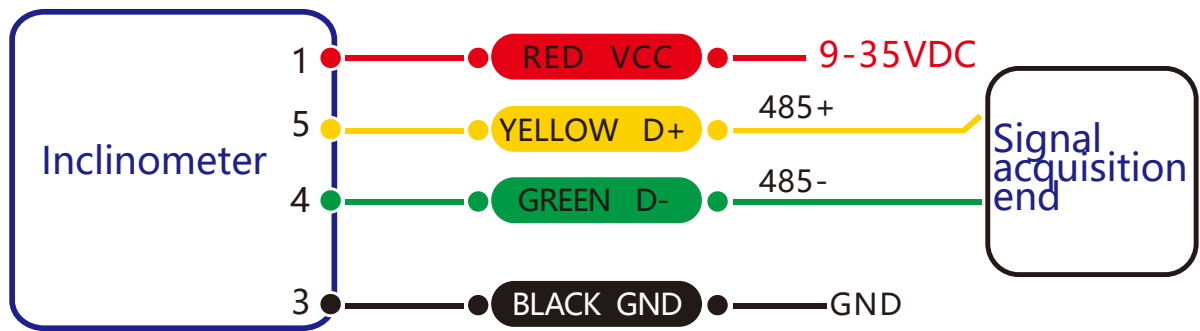
Finally, the installation surface of the sensor must be fixed with the measured surface tightly and smoothly, to avoid measurement error that may be caused by the acceleration and vibration.



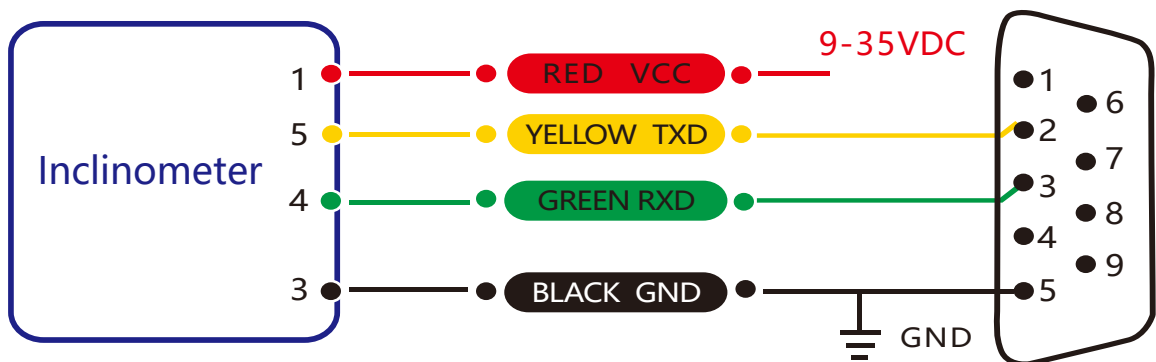
# Electrical connections

## Electrical interfaces

Cable color & function	RED	BLUE	BLACK	GREEN	YELLOW
	1	2	3	4	5
	VCC 9-35VDC	NC	GND	RXD (B, D-)	TXD (A, D+)



**RS 485 wiring diagram**



**RS 232 wiring diagram**



## Debug software

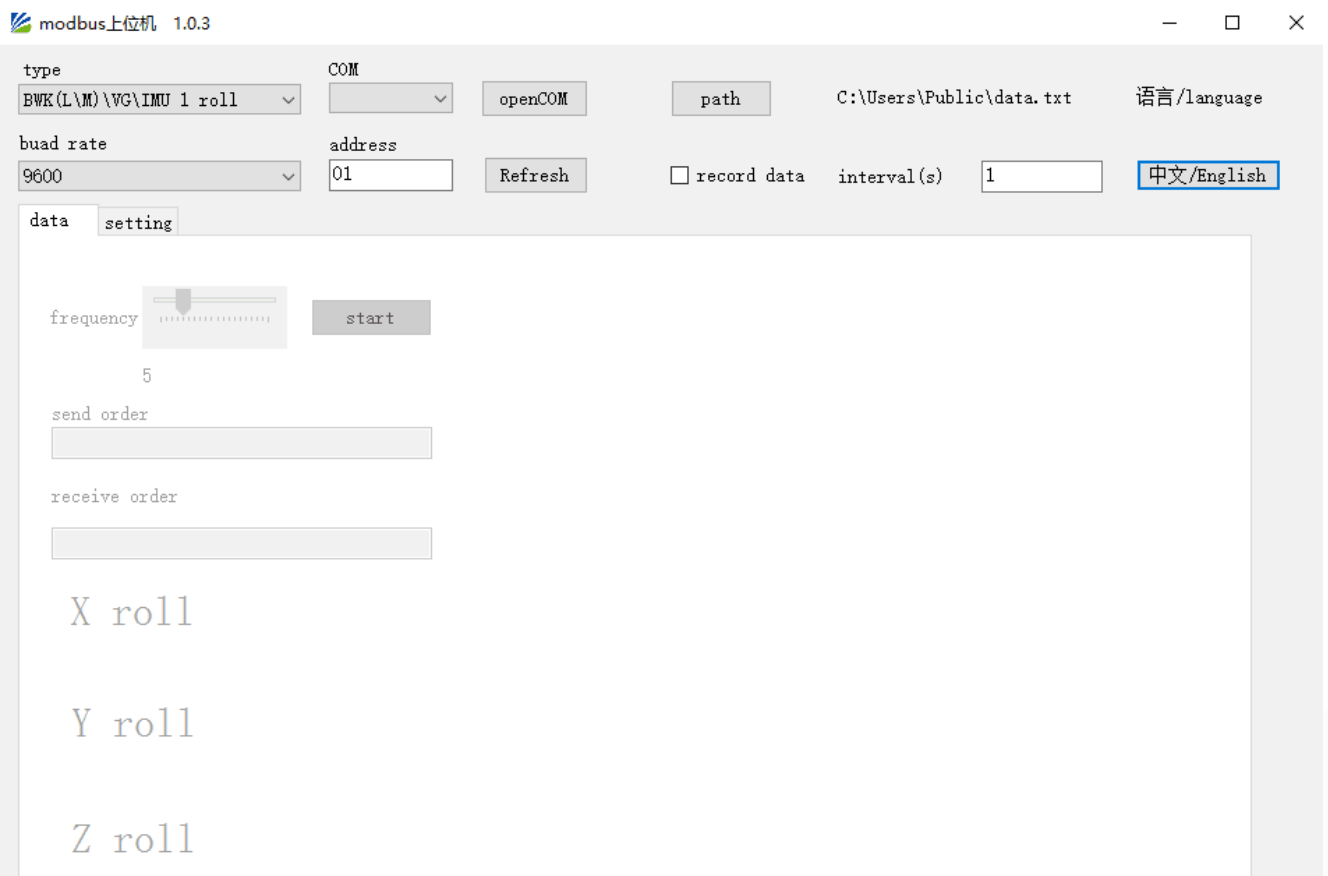
Users can directly download serial assistant on official website (Supports-Download). You can also use more convenient and intuitive PC software.

BWL317S supporting serial debugging software can be connected to the inclinometer on the computer for angle display. The software debugging interface is as shown in the figure below. Using the debug software, it can conveniently display the current X-direction tilt angle, and you can also modify and set other parameters by yourself.

### Software use steps:

- ① Correctly connect the inclinometer serial port hardware and connect the power supply.
- ② Select the computer serial port and baud rate and click connect Serial Port.
- ③ Click Start and the tilt angle of the tilter in the X direction will be displayed on the screen.

**Note:** You can switch to Chinese or English version by the Upper right button





## Protocol

### 1 Data Frame Format: (8 data bits, 1 stop bit, non verification, default rate 9600)

Address Code (1byte)	Function Code (1byte)	The first high address register (1byte)	The first low address register (1byte)	High register number (1byte)	Low register number (1byte)	Checksum (2byte)
0x01	0x03 (read) 0x06 (write)	xx	xx	xx	xx	xxxx

**Data format:** Hexadecimal

**Address code:** Default 01 (**note:** it should not exceed FF)

**Function Code:** 03 represents reading register,06 represents presetting register.

**Register Address:** The starting address the register need to be operated

**Register amount:** The amount need to operate

**Checksum:** It is calculated by the host. (We recommend that users need to use the CRC calculation software.)

**X-axis Angle:** Register 00 01

**Product Address:** Register 00 03

**Zero Type:** Register 00 04

### 2 Command Format:

#### 2.1 Read angle of X-axis Command: 01 03 00 01 00 01 D5 CA

Address Code (1byte)	Function Code (1byte)	The first high address register (1byte)	The first low address register (1byte)	High register number (1byte)	Low register number (1byte)	Checksum (2byte)
0x01	0x03	0x00	0x01	0x00	0x01	0xD5CA

#### Command response:

Address Code (1byte)	Function Code (1byte)	Number of bytes (1byte)	High number (1byte)	Low number (1byte)	Wrong CRC checksum (2byte)
0x01	0x03	0x02	xx	xx	xxxx

Note: The data field is a hexadecimal number (PLC or configuration software uses 16-bit registers to read data directly is decimal). After decimal, real data = (data field - 20,000) / 100. If the data field is 3D52, the conversion to decimal is 15698, the real data = (15698-20000) / 100 = -43.02 degrees, the data field 1230, the decimal is 4656, the real data = (4656-20000) / 100 = -153.44 degrees .



**2.2 Set relative/absolute zero****Command: 01 06 00 0A 00 00 A9 C8**

Address Code (1byte)	Function Code (1byte)	The high address register (1byte)	The low address register (1byte)	Data field (2byte)	Checksum (2byte)
0x01	0x06	0x00	0x0A	0000: absolute zero 0001: relative zero	xxxx

**Command response:**

Address Code (1byte)	Function Code (1byte)	The first high address register (1byte)	The first low address register (1byte)	Data field (2byte)	Checksum (2byte)
0x01	0x06	0x00	0x0A	0000: absolute zero 0001: relative zero	xxxx

**Note:** absolute zero: Based on the factory-calibrated zero point.

relative zero: Reference to the zero after the current installation.

**2.3 Query relative/absolute zero****Command: 01 03 00 04 00 01 C5 CB**

Address Code (1byte)	Function Code (1byte)	The first high address register (1byte)	The first low address register (1byte)	High register number (1byte)	Low register number (1byte)	Checksum (2byte)
0x01	0x03	0x00	0x04	0x00	0x01	0xC5CB

**Command response:**

Address Code (1byte)	Function Code (1byte)	Number of bytes (1byte)	High number (1byte)	Low number (1byte)	Wrong CRC checksum (2byte)
0x01	0x03	0x02	xx	xx	xxxx

**2.4 Set module address****Command: 01 06 00 0D 00 03 58 08**

Address Code (1byte)	Function Code (1byte)	The high address register (1byte)	The low address register (1byte)	Data field (2byte)	Checksum (2byte)
0x01	0x06	0x00	0x0D	Module address	xxxx

**Command response:**

Address Code (1byte)	Function Code (1byte)	The high address register (1byte)	The low address register (1byte)	Data field (2byte)	Checksum (2byte)
Module address	0x06	0x00	0x0D	Module address	xxxx

**2.5 Set communication rate Command: 01 06 00 0B 00 02 79 C9**

Address Code (1byte)	Function Code (1byte)	The high address register (1byte)	The low address register (1byte)	Data field (2byte)	Checksum (2byte)
0x01	0x06	0x00	0x0B	0x0002	0x79C9

**Command response:**

Address Code (1byte)	Function Code (1byte)	The high address register (1byte)	The low address register (1byte)	Data field (2byte)	Checksum (2byte)
0x01	0x06	0x00	0x0B	0x0002	0x79C9

**Note:** Data field: 0000: 2400; 0001: 4800; 0002: 9600(default); 0003: 19200; 0004: 115200;

**2.6 Save settings Command: 01 06 00 0F 00 00 B9 C9**

Address Code (1byte)	Function Code (1byte)	The high address register (1byte)	The low address register (1byte)	Data field (2byte)	Checksum (2byte)
0x01	0x06	0x00	0x0F	0x0000	0xB9C9

**Command response:**

Address Code (1byte)	Function Code (1byte)	The high address register (1byte)	The low address register (1byte)	Data field (2byte)	Checksum (2byte)
0x01	0x06	0x00	0x0F	0x0000	0xB9C9

**Note:** For all the previous setting items, you need to send the save command after modification. Otherwise, after power off, these settings will be restored to the state before the setting.



**BWSENSING**

**BWL 317S**

Low Cost Single-Axis Digital Output with Modbus Inclinometer

## Executive standard

- Enterprise Quality System Standard: ISO9001:2008 Standard (Certificate No.10114Q16846ROS)
- CE certification (certificate number: 3854210814)
- RoHS (certificate number: G190930099)

# BWL317S

Low Cost Single-Axis  
Digital Output with Modbus  
Inclinometer

## Wuxi Bewis Sensing Technology LLC

Address: Building 30, No. 58 Xiuxi Road, Binhu District, Wuxi City, Jiangsu Province, China

Tel/Whatsapp: +86 189 2129 2620

Email: [support@bwsensing.com](mailto:support@bwsensing.com)

Website: [www.bwsensing.com](http://www.bwsensing.com)