



BWS2200 Series

**Voltage Output High-precision
Dual Axis Inclinometer**

Technical Manual

V3.0



Introduction

BWS2200 is a dual-axis high-precision inclinometer with MEMS technology and digital output launched by Bewis Sensing. It has a measurement range of $\pm 30^\circ$ and a maximum accuracy of 0.001° . It is currently the most accurate product in the industry. The sensor uses a high-resolution differential digital-to-analog converter with built-in automatic compensation and filtering algorithms to minimize errors caused by environmental changes. Convert the change of the static gravity field into the change of the inclination angle, and directly output the current roll angle and pitch angle through the digital method. The product is easy to install, simple to use, small in size, resistant to external electromagnetic interference, and strong in vibration and impact. It is an industrial automation, The recommended choice for inclination measurement in surveying and mapping industries!

Feature

- High accuracy: 0.001°
- Dual axis inclination measurement
- 0-5V, 0-10V optional, Output RS232
- Baud rate 2400~115200 adjustable
- IP67 protection level
- Wide voltage input: 12-36V(DC)
- Output frequency 5~ 100Hz adjustable
- Accept OEM customization

Application

- Bridge deflection monitoring
- Building health monitoring
- Precision platform automatic leveling
- Military equipment automation
- Tunnel and dam monitoring
- Tower tilt monitoring
- Surveying and Mapping Instruments
- Wind turbine tower monitoring

**Electrical index**

Parameter	Condition	Minimum	Typical value	Maximum
Voltage (V)		12		36
Current (mA)	No load	20	50	60
Output load (kΩ)	Resistive	10		
Output load (nF)	Capacitive			20
Operating temperature(°C)		-40		85
Storage temperature(°C)		-55		100

**Performance index**

Measurement Range (°)	Condition	±5	±15	±30
Measurement axis	Mutually perpendicular	X-Y	X-Y	X-Y
Accuracy (°)	Room temperature	0.001	0.003	0.005
Resolution (°)	Completely still	0.0005	0.0005	0.0005
Zero bias (°/°C)	-40~85°C	±0.0007	±0.0007	±0.0007
Cross axis error (°)	-40~85°C	0.001	0.001	0.001
Start-up time		< 3s	< 3s	< 3s
Output frequency (Hz)	5-100Hz adjustable	Up to 100	Up to 100	Up to 100
Baud rate	Adjustable	2400~115200	2400~115200	2400~115200
Mean time between failures MTBF	≥90000 h/time			
Electromagnetic compatibility	According to GBT17626			
Insulation resistance	≥100 MΩ			
Impact resistance	2000g, 0.5ms, 3 times/axis			

Resolution: The smallest change value of the measured value that the sensor can detect and distinguish within the measurement range.

Accuracy: The root mean square error of the actual angle and the sensor measuring angle for multiple (≥16 times) measurements.



Product Feature



Mechanical feature

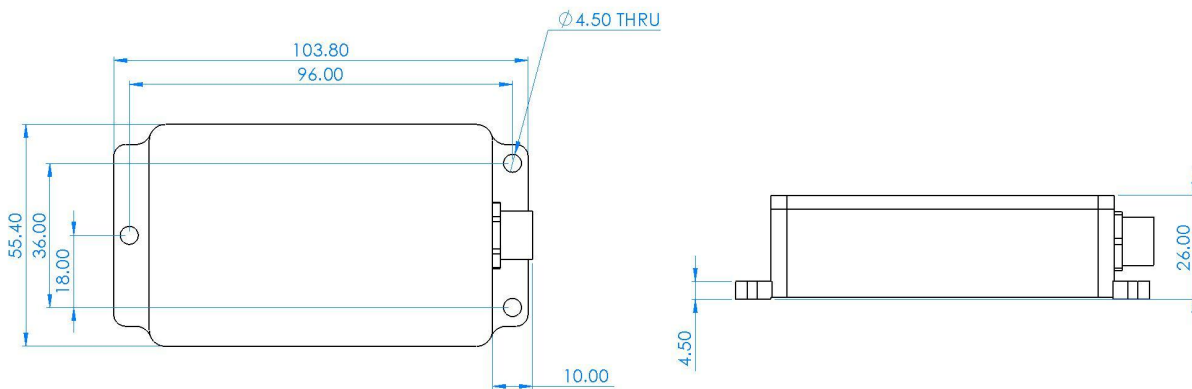
Connector	Metal joint (cable 1.5m)
Protect level	IP67*
Shell material	Magnesium aluminum alloy anodizing
Installation	Three M4 screws

*Waterproof to IP67 after gluing



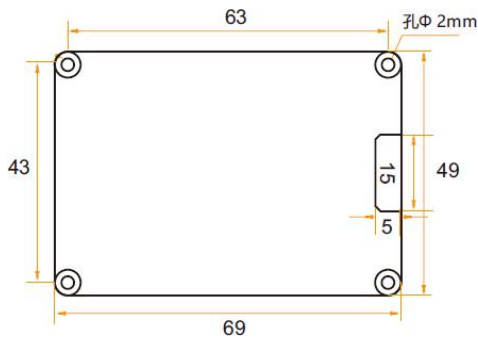
Package product size

Product size: L103.8*W55.4*H26 (mm)



PCB size

Product size: L69*W49*H12 (mm) The length and width may have an error of ±1mm, please refer to the actual product

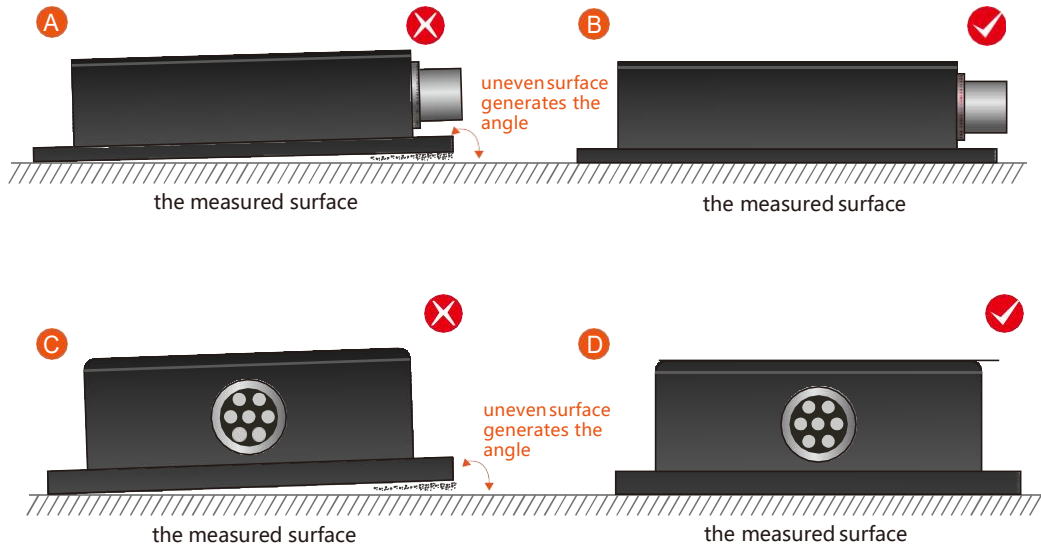




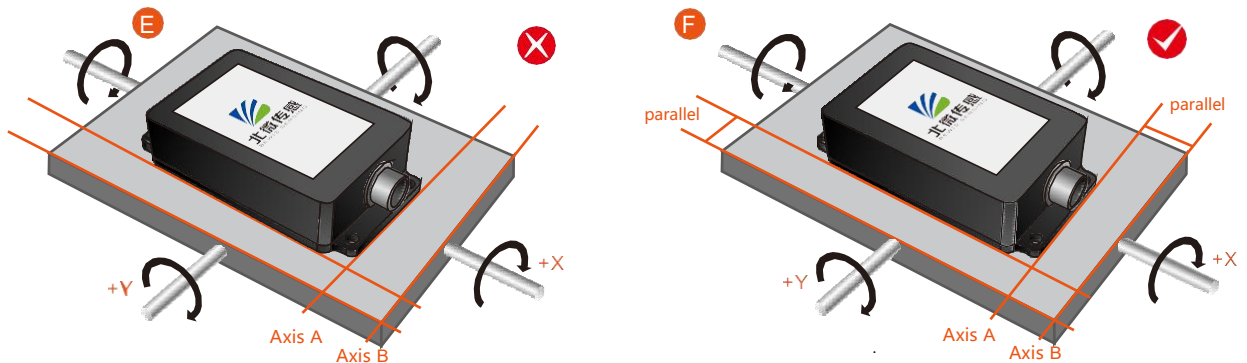
Installation

The correct installation method can avoid measurement errors. When installing the sensor, please do the following:

First of all, make sure that the sensor mounting surface is completely close to the measured surface, and the measured surface should be as level as possible. There should be no included angles as shown in Figure A and Figure C. The correct installation method is shown in Figure B and Figure D.



Secondly, the bottom line of the sensor and the axis of the measured object cannot have an angle as shown in Figure E, and the bottom line of the sensor should be kept parallel or orthogonal to the axis of rotation of the measured object during installation. This product can be installed horizontally or vertically (vertical installation needs to be customized), and the correct installation method is shown in Figure F.



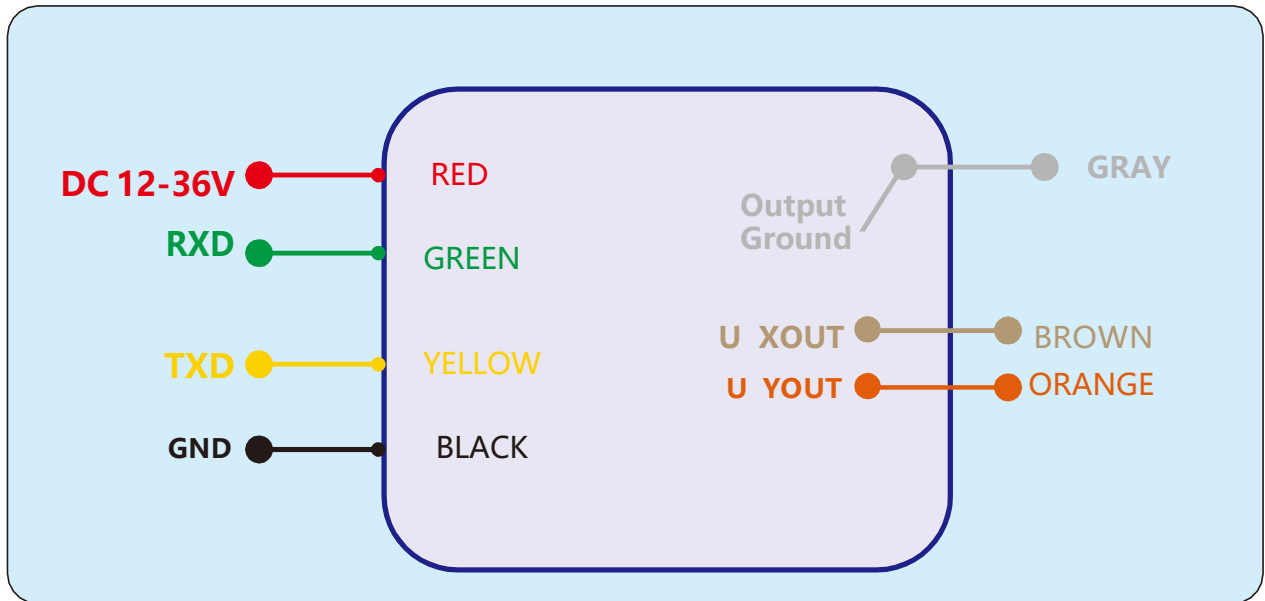
Finally, the mounting surface of the sensor and the surface to be measured must be tightly fixed, smooth in contact, and stable in rotation, and measurement errors due to acceleration and vibration must be avoided.



Electric Interface

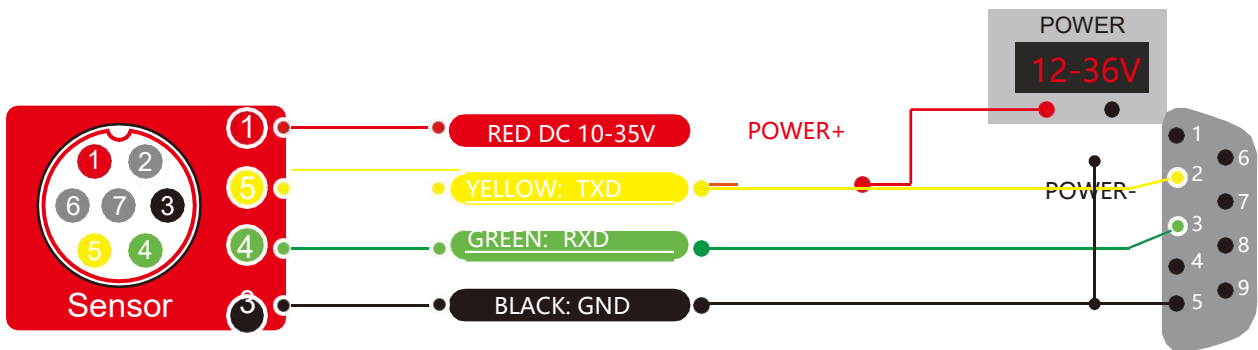
Electrical interfaces

Cable color & Function	RED	BL ACK	GREEN	YELLOW	BROWN	ORANGE	GRAY
	1	3	4	5	8	9	10
	VCC DC12-36V	GND	RXD	TXD	U XOUT	U YOUT	Output Ground



Electrical interfaces

Cable color & Function	RED	BLUE	BL ACK	GREEN	YELLOW
	1	2	3	4	5
	VCC DC 12-36V	NC	GND	RXD	TXD





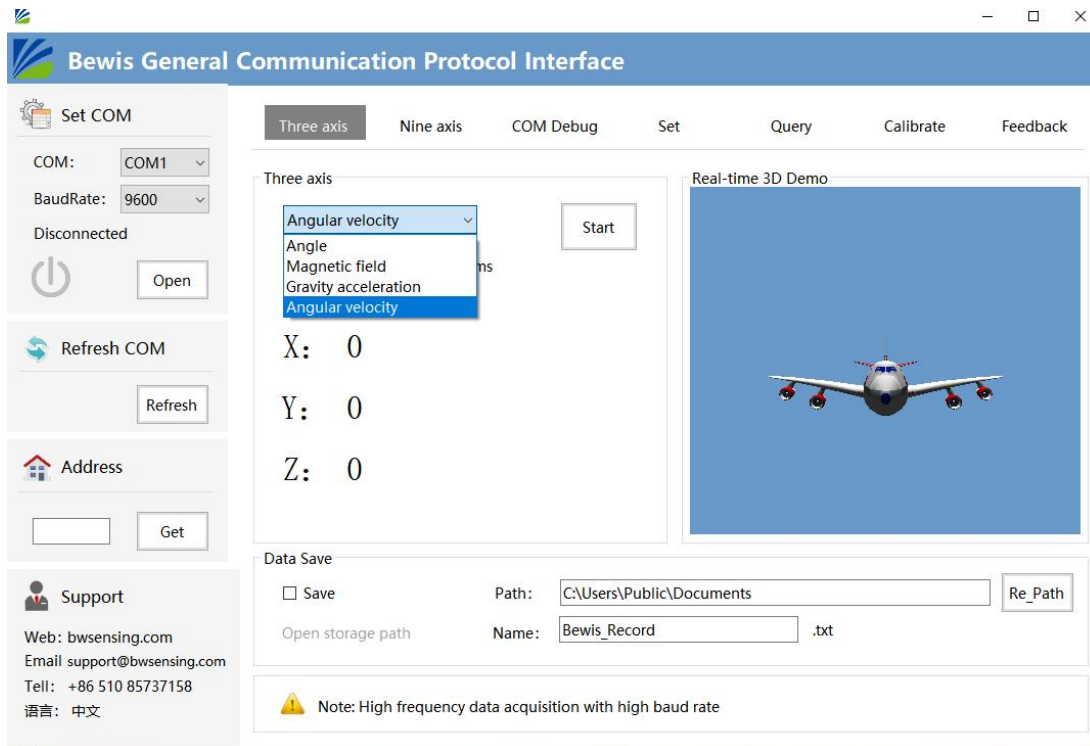
Debugging Software

You can download the serial debugging assistant directly on the official website (technical service -> download area), or you can use the more convenient and intuitive host computer software.

BWS2200 supporting serial port debugging software can connect the inclination sensor on the computer to display the angle. The software debugging interface is shown in the figure below. Using the tilt angle to debug the host computer, you can conveniently display the current X direction and Y direction tilt angle, and you can also modify and set other parameters.

Step:

- ① Connect the serial port hardware of the inclinometer correctly, and connect the power supply.
- ② Select computer serial port and baud rate and click connect serial port.
- ③ Click start button and the current inclination Angle of the incliner in X and Y directions will be displayed on the screen.





Order information

Model	Communication mode	Package situation
BWS2200-30-05	0-5V Voltage/RS232	IP67 package /Metal joint
BWS2200-30-010	0-10V Voltage/RS232	IP67 package /Metal joint

Executive standard

- Enterprise Quality System Standard: ISO9001:2015 Standard (Certificate No.064-21-Q-3290-RO-S)
- CE certification (certificate number: M.2019.103. U Y1151)
- ROHS (certificate Number: G 190930099)
- GB/T 191 SJ 20873-2003 General specification for inclinometer and level
- GBT 18459-2001 The calculation method of the main static performance index of the sensor
- JJF 1059.1-2012 Evaluation and expression of measurement uncertainty
- GBT 14412-2005 Mechanical vibration and shock Mechanical installation of accelerometer
- GJB 450A-2004 General requirements for equipment reliability
- GJB 909A Quality control of key parts and important parts
- GJB899 Reliability appraisal and acceptance test
- GJB150-3A High temperature test
- GJB150-4A Low temperature test
- GJB150-8A Rain test
- GJB150-12A Sand and dust experiment
- GJB150-16A Vibration test
- GJB150-18A Impact test
- GJB150-23A Tilt and rock test
- GB/T 17626-3A Radio frequency electromagnetic field radiation immunity test
- GB/T 17626-5A Surge (impact) immunity test
- GB/T 17626-8A Power frequency magnetic field immunity test
- GB/T 17626-11A Immunity to voltage dips, short-term interruptions and voltage changes

BWS2200 Series

Voltage Output High-precision Dual Axis Inclinator

Wuxi Bewis Sensing Technology LLC

Add: Building 30, NO. 58, Xiuxi Road, Binhu District,
Wuxi City, Jiangsu Province, China

Tel: +86 18921292620

Mail: sales@bwsensing.com

Web: www.bwsensing.com