



GI930 Series

High Precision FOG Integrated
Navigation System

Technical Manual



Introduction

The BW-GI930 is a high-performance, high-precision fiber optic integrated navigation system developed by Bewis for the aerial mapping, unmanned aerial vehicles, sea-based and roadbed. Built-in three-axis fiber optic gyroscope, three-axis accelerometer, optional three-axis magnetic sensor, high-precision air pressure sensor, including a BD/GPS/GLONASS three-mode receiver. It can measure the speed, position, attitude of the carrier, and output the compensated angular rate, acceleration, magnetic field, air pressure, temperature and other information.

The BW-GI930 is equipped with a new integrated navigation sensor fusion algorithm engine. It is optimized for multipath interference and can meet the needs of long-term, high-precision and high-reliability navigation applications in urban and outdoor complex environments. The product supports a variety of sensors such as GNSS/odometer/DVL/barometric altimeter and has excellent scalability. It combines inertial measurement with satellite navigation and odometer information through multi-sensor data fusion technology. These can greatly improve the system's geographical adaptability. BW-GI930 integrated navigation system adopts coupling technology. It combines high-precision, professional-grade, multi-channel, dual-antenna single-frequency carrier phase and pseudo-range GPS receivers with high-precision fiber inertial measurement units. It has the characteristics of small size, light weight and high performance.

Applications

- Long-range Flight Guidance, Antenna System Stability
- Attitude/Azimuth Reference System, Multi-beam Attitude Sensing
- Railway Track Inspection Vehicles, Drones, Unmanned Navigation and Control
- Space Stabilization Platform, Mine Tunneling Machine, Coal Mining Machine Intelligent Navigation and Control

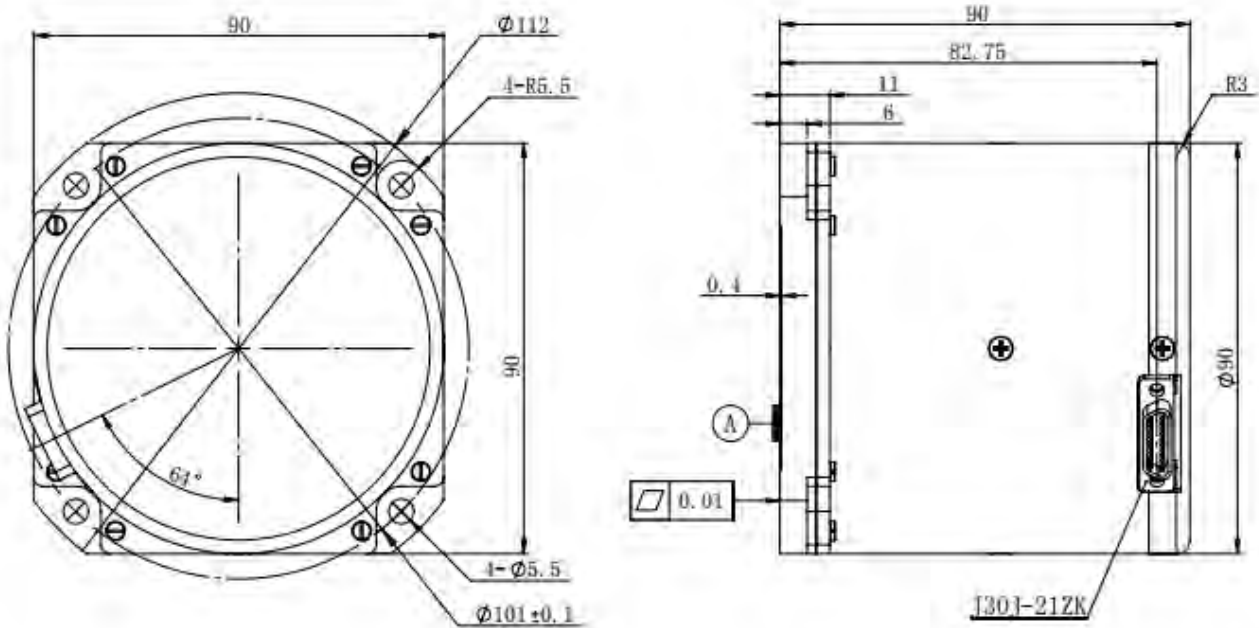
Specifications


Performance Specifications

External GPS effective 4m baseline	Self-seeking north precision(deg)	≤ 2.5
	Azimuth accuracy(deg)	≤ 0.05
	Attitude angle accuracy(deg)	≤ 0.08
	Speed accuracy(m/s)	≤ 0.03
	Position accuracy(m)	$\leq 2\text{m}/\text{RTK } 1\text{cm}$
GPS failure	Azimuth maintaining accuracy(deg)	$\leq 0.5, 1\text{h}$
	Attitude angle maintaining accuracy(deg)	$\leq 0.08, 1\text{h}$
	Position accuracy(km)	$\leq 30, 0.5\text{h}$
System measurement range	Azimuth measurement range(deg)	± 180
	Attitude measurement range(deg)	± 90
Gyro	Measuring range (deg/s)	± 1000
	Bias stability ($^{\circ}/\text{h}$)	0.5
	Bias repeatability ($^{\circ}/\text{h}$)	0.5
	Random walk coefficient ($^{\circ}/\sqrt{\text{h}}$)	≤ 0.05
	Scale factor nonlinearity (ppm)	≤ 150
	Scale factor asymmetry (ppm)	≤ 150
	Scale factor repeatability (ppm)	≤ 150
Accelerometer	Measuring range (g)	± 10
	Bias stability (mg)	0.1
	Bias repeatability (mg)	0.1
	Scale factor repeatability (ppm)	≤ 300
Environmental parameters	Working temperature ($^{\circ}\text{C}$)	$-40 \sim +65$
	Storage temperature ($^{\circ}\text{C}$)	$-45 \sim +70$
	Vibration (Hz, g^2/Hz)	$20 \sim 2000, 0.06$
	Shock (g, ms)	30, 11
Electrical parameters	Input voltage (Vdc)	$+9 \sim +36$
	Power (W)	15
	Data output format	RS-422
	Data refresh rate(Hz)	100
Physical parameters	Size (mm)	$\leq 90 \times 90 \times 90$
	Weight (kg)	2.5
	Connector	Y11P-1210ZK10

Product Size

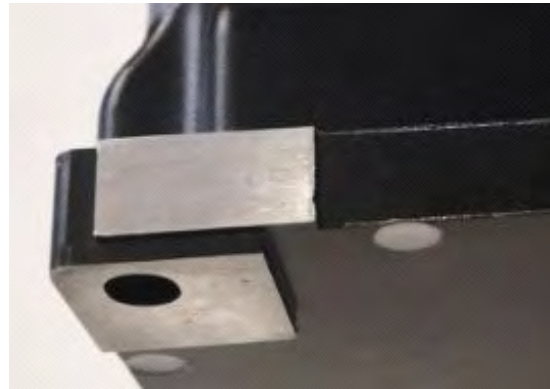
Product Size: L90×W90×H90 (mm)



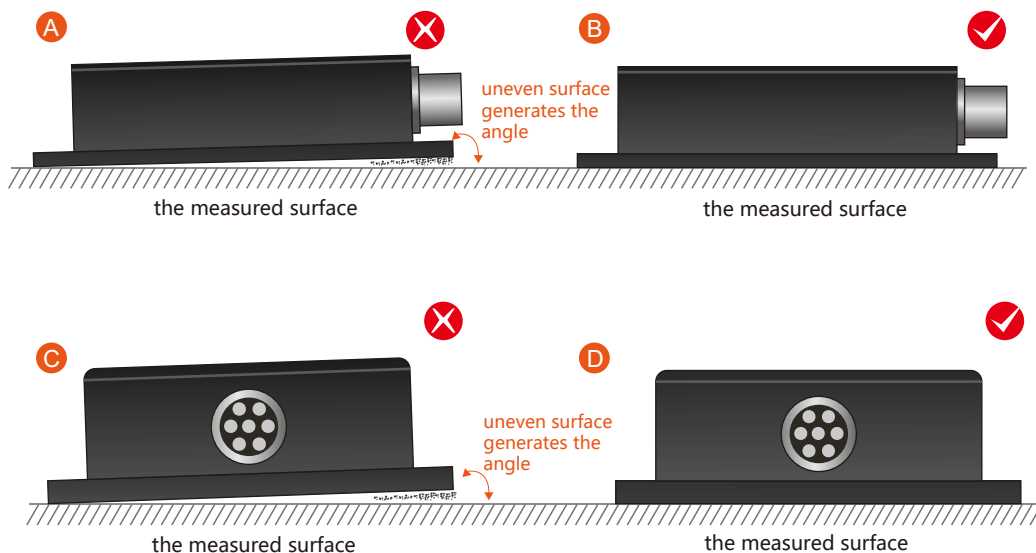
Note: Unfilled dimensional tolerances are performed in accordance with GB/T1804-2000 Class C.

Product installation

The correct installation method can avoid measurement error. The inertial measurement unit produces an absolutely smooth surface by grinding on the underside and measuring surface for installation. The following points should be made when installing the sensor:



First of all, to ensure that the sensor mounting surface and the measured surface completely close, the measured surface should be as horizontal as possible, so that we can reduce installation error. Secondly, when the product is installed, the bottom surface of the IMU and the body should be coincident, and it is gently pushed to make the measurement surface of the IMU coincide with that of the machine body, so that both surfaces are tightly attached, and there is no angle in Fig.A and Fig.C. The correct installation is shown in Fig.B and Fig.D.



Finally, after the product is tightly attached, screws should be used to fix the IMU to ensure tight fixation, smooth conduct and stable rotation. Measurement errors caused by acceleration and vibration should be voided. Bear in mind that the screw only plays a fixed role and does not have a positioning function. The screw hole of the IMU is processed into an elliptical shape for easy adjustment.

Electrical connections

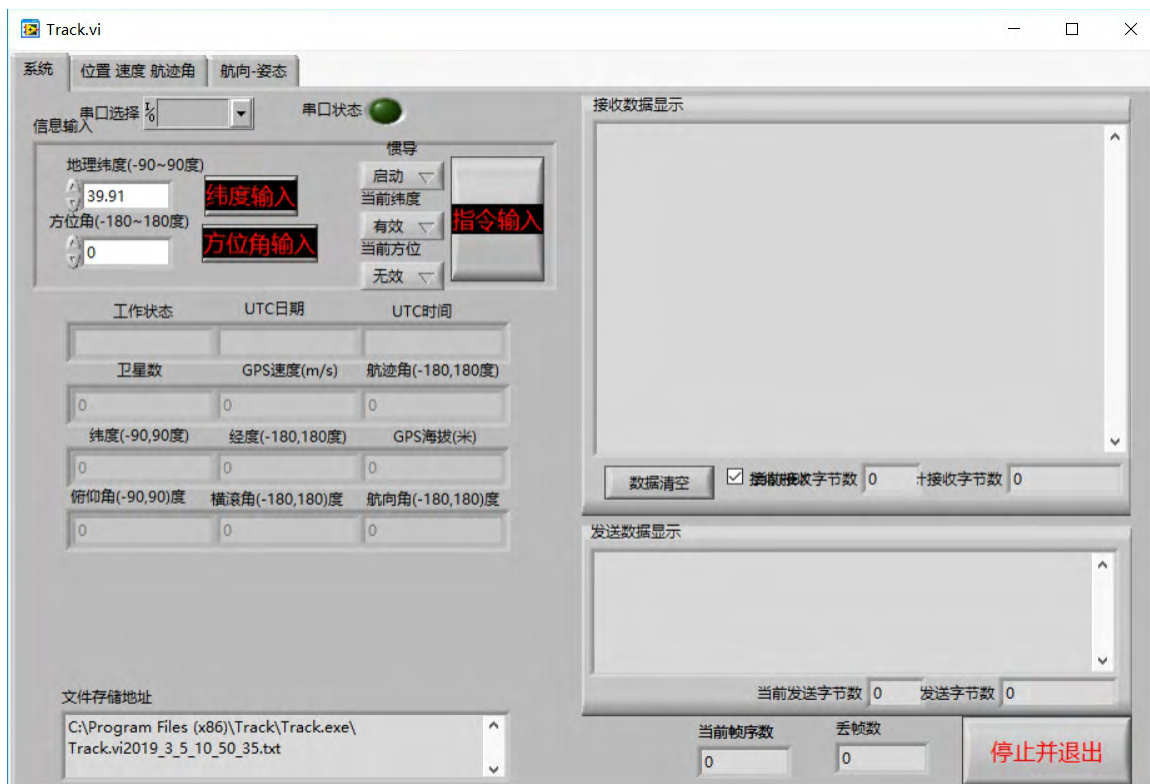
Data cable RS422 interface definition, DB9 female:

DB9 connector pin	Interface definition	Remarks
1	R+	Receive +
2	R-	Receive -
3	T+	Transmit +
4	T-	Transmit -

Debugging software

Software usage steps:

- ① Ensure that the inertial navigation is absolutely static,correctly connect the serial port hardware of the integrated navigation,and connect the power supply.
- ② Select the computer serial port and baud rate and click to connect to the serial port.
- ③ Enter the correct geographic latitude,click Inertial Navigation Start→Command Input,the working status on the screen shows static alignment,and the working state becomes INS navigation.At this time,the inertial navigation enters the working state and can be used.



Protocol

After the system is powered on, the normal operating time is 20Hz frequency, RS422 communication 115200bps, n, 8, 1 broadcast broadcast navigation data, 48 bytes per frame data as shown in the following table:

Navigation data			
Byte number	Content	Data type	Byte count
1-2	Frameheader: 0X5A0XA5	Byte	2
3	Workingstatus:0- Monitoring status,1-Staticalignment,2-INS navigation	Byte	1
4-5	Inertialpitchangle([-90,90] degrees) in units of 0.01 degrees	Short int (low byte first, high byte last)	2
6-7	Inertialguiderollangle ([-180,180]degrees),unit 0.01 degree		2
8-9	Inertialazimuth([-180,180] degrees),northto eastis -, north to west is +, unitis 0.01degrees		2
10-11	nertialX-axisangularvelocity Wx(degree/s) in units of 0.01 deg/s		2
12-13	nertial Y-axis angular velocity Wy(degree/s) in units of 0.01 deg/s		2
14-15	nertial Z-axis angular velocity Wx(degree/s)in units of 0.01 deg/s		2
16-17	Inertial X-axis acceleration Ax(m/s / s), unit0.01m / s/s		2
18-19	Inertial Y-axisaccelerationAy (m / s / s), unit 0.01m / s/s		2
20-21	Inertial Z-axis acceleration Az (m / s / s), unit0.01m / s/s		2
22-23	Speed after GPS satellite positioning, unit0.1 m / sec		2
24-25	GPS trackangle([-180,180] degrees), north to the east is -, north to west is +, the unit is 0.1 degrees		2
26-27	GPS satellite number		2
28-29	GPS altitude, unit 0.1 m	2	
30-33	Latitude after GPS satellite positioning, unit degree	Float(low byte first, high byte after), value range [-90,90] degrees, the north latitude is + and the south latitude is -.	4
34-37	Longitude after GPS satellite positioning, unit degree	Float (low byte first, high byte after), value range[-180,180] degrees, east longitude is +, west	4

Executive standard

- Enterprise Quality System Standard: ISO9001:2008 Standard(Certificate No.:10114Q16846ROS)
- CE certification (certificate number: 3854210814)
- ROHS (certificate number: SO81426003)
- GJB 2426A-2004 Fiber Optic Gyro Test Method
- GBT 18459-2001 sensor main static performance index calculation method
- JF 1059-1999 Evaluation and Expression of Measurement Uncertainty
- GBT 14412-2005 mechanical vibration and shock mechanical installation of accelerometer
- General requirements for GJB 450A-2004 equipment reliability
- Quality control of key parts and important parts of GJB 909A
- GJB 899 Reliability Qualification and Acceptance Test
- GJB 150-3A high temperature test
- GJB 150-4A low temperature test
- GJB 150-8A rain test
- GJB 150-12A dust test
- GJB 150-16A vibration test
- GJB 150-18A impact test
- GJB 150-23A Tilt and Swing Test
- GB/T 17626-3A RF electromagnetic radiation immunity test
- GB/T 17626-5A surge (hit) impulse immunity test
- GB/T 17626-8A power frequency magnetic field immunity test
- GB/T 17626-11A voltage dips, short interruptions and voltage changes immunity
- GB/T 2423.22-2012 Environmental testing Part 2:test method Test N:temperature change (IEC 60068-2-14:2009,IDT)
- GB/T 10125-2012Artificial atmosphere corrosion test Salt spray test (ISO 9227:2006,IDT)

GI930

High Precision FOG Integrated Navigation System

Wuxi Bewis Sensing Technology LLC

Address: Building 30, No. 58 Xiuxi Road, Binhu District, Wuxi City

Hotline: 400-618-0510

Tel: +86 510 85737178-801

Email: sales@bwsensing.com

Website: www.bwsensing.com